

## Eversly 67

ITEM # THS-B26-67

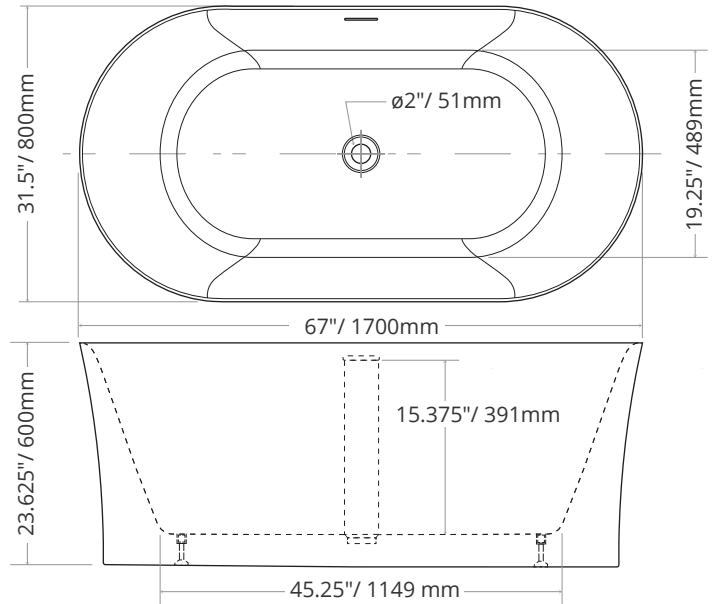


**Length** 67"/ 1700mm  
**Width** 31.5"/ 800mm  
**Height** 23.625"/ 600mm  
**Tolerance** +/- 0.25"/ 6mm

**Water Depth** 15.375"/ 391mm  
**Water Cap.** ~87 gal (US)/ 330L  
**Weight** 100lb/ 46kg

**Materials** Acrylic, Fiberglass, Wood, Steel  
**Colour** Brilliant White  
**Finish** High Gloss

**Overflow** Integral, Finished Slot  
**Installation** Freestanding  
**Drain Assembly** Sold Separately



### COMPATIBLE WITH

#### DRAIN ASSEMBLY (Required)

**THS-AC01-PC** Chrome  
**THS-AC01-BL** Black  
**THS-AC01-BG** Brushed Gold  
**THS-AC01-BN** Brushed Nickel  
**THS-AC01-PN** Polished Nickel  
**THS-AC01-WH** White

T.H. Smith products are largely manufactured by hand. This results in slight variations in overall product dimensions from technical specifications. In general, variances are no more than 1/4" (6mm), but they can be larger. We recommend that you have your bathtub on-site prior to performing any rough-ins or plumbing.

In keeping with our policy of continuing product improvement, T.H. Smith Co. reserves the right to change product specifications without notice. Please ensure you have the latest edition of this specification by visiting [thsmith.ca](http://thsmith.ca) or by using the QR code on this document.

[thsmith.ca](http://thsmith.ca) | [sales@thsmith.ca](mailto:sales@thsmith.ca) | (778) 600-1822



Augmented Reality



Current Spec Sheet  
2.8.2024.A01