

Phoebe 60

ITEM # THS-B30-60

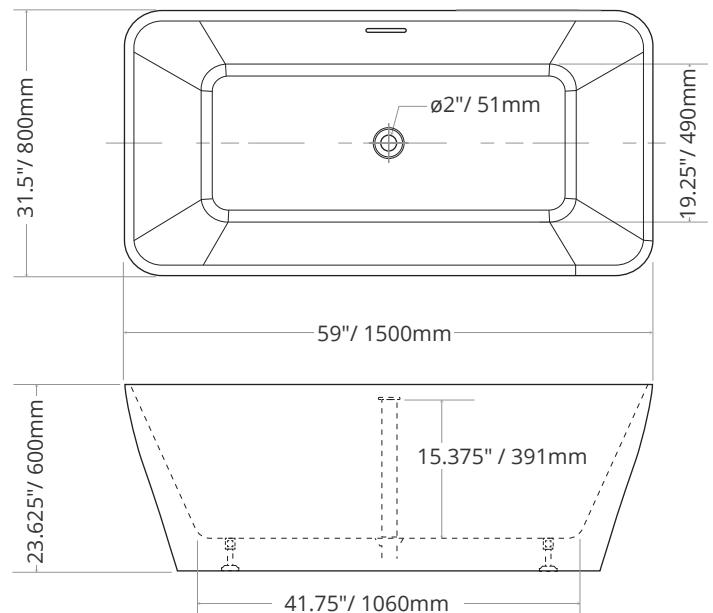


Length	59" / 1500mm
Width	31.5" / 800mm
Height	23.625" / 600mm
Tolerance	+/- 0.25" / 6mm

Water Depth	15.375" / 391mm
Water Cap.	~63 gal (US) / 235L
Weight	115lb / 44kg

Materials	Acrylic, Fiberglass, Wood, Steel
Colour	Brilliant White
Finish	High Gloss

Overflow	Integral, Finished Slot
Installation	Freestanding
Drain Assembly	Sold Separately



COMPATIBLE WITH

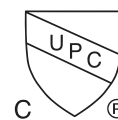
DRAIN ASSEMBLY (Required)

THS-AC01-PC	Chrome
THS-AC01-BL	Black
THS-AC01-BG	Brushed Gold
THS-AC01-BN	Brushed Nickel
THS-AC01-PN	Polished Nickel
THS-AC01-WH	White

T.H. Smith products are largely manufactured by hand. This results in slight variations in overall product dimensions from technical specifications. In general, variances are no more than ¼" (6mm), but they can be larger. We recommend that you have your bathtub on-site prior to performing any rough-ins or plumbing.

In keeping with our policy of continuing product improvement, T.H. Smith Co. reserves the right to change product specifications without notice. Please ensure you have the latest edition of this specification by visiting thsmith.ca or by using the QR code on this document.

thsmith.ca | sales@thsmith.ca | (778) 600-1822



Augmented Reality



Current Spec Sheet
2.8.2024.A01